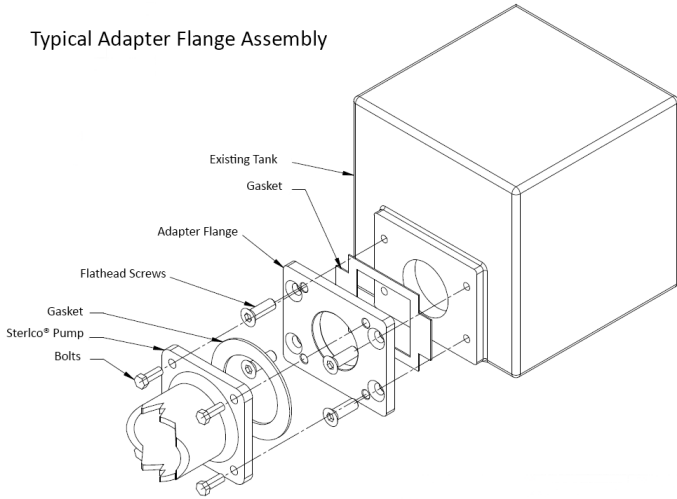


ADAPTER FLANGES FOR RETROFIT

Typical Adapter Flange Assembly

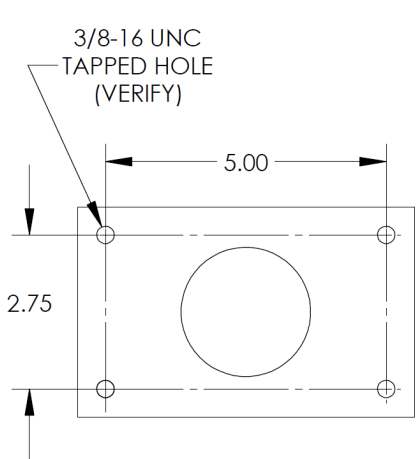


Technical Specifications

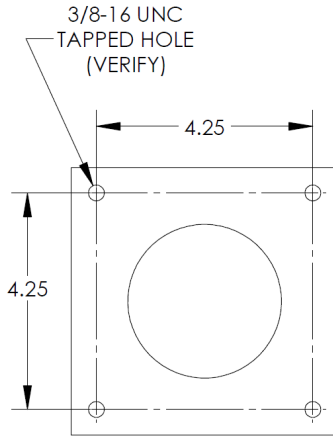
Kits for Mounting Sterlco Pumps to Hoffman, Domestic, Shipco, Skidmore, Aurora, Paco and Mepco Receivers.

Review Your Existing Flange Dimensions Below to Select the Correct Retrofit Kit.

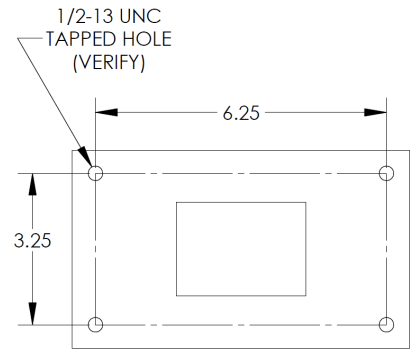
Existing Flange Dimensions



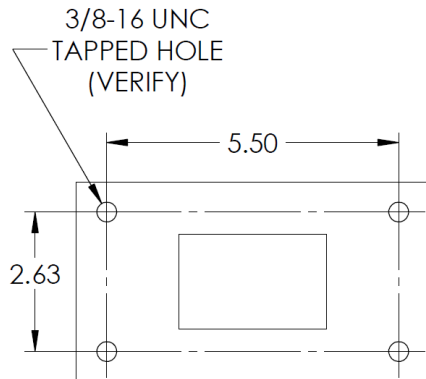
**HOFFMAN, DOMESTIC, SHIPCO
TANK PUMP MOUNTING PAD
DIMENSIONS**
Order Sterlco® Kit P/N 684.00866.00



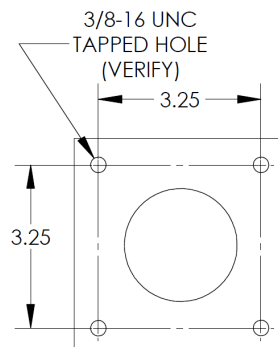
**SKIDMORE
TANK PUMP MOUNTING PAD
DIMENSIONS**
Order Sterlco® Kit P/N 684.89068.00



**AURORA
TANK PUMP MOUNTING PAD
DIMENSIONS**
Order Sterlco® Kit P/N 684.89033.00

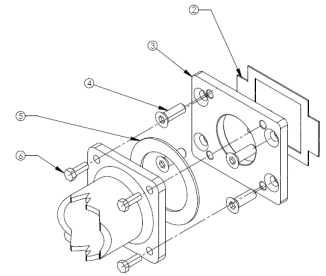


**PACO
TANK PUMP MOUNTING PAD
DIMENSIONS**
Order Sterlco® Kit P/N 684.89032.00

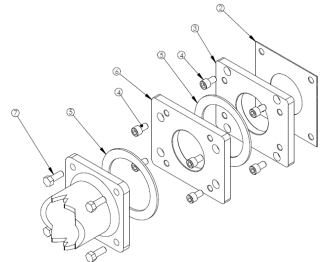


**MEPCO
TANK PUMP MOUNTING PAD
DIMENSIONS**
Order Sterlco® Kit P/N 684.89061.00

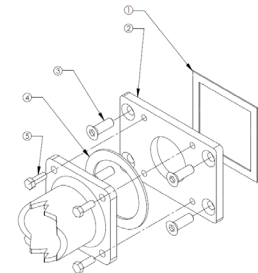
ADAPTER KIT FOR	DESCRIPTION	ITEM #	PART #	QTY
HOFFMAN, DOMESTIC & SHIPCO	Adapter Kit		684.00866.00	
Includes	Adapter Tank Gasket	2	544.00865.00	1
	Adapter Plate	3	634.00739.00	1
	Flat Head Cap Screw 3/8X1-1/4	4	001.24402.00	4
	Suction Gasket	5	544.00003.00	1
	Hex Head Bolt 3/8-16X1	6	001.05915.00	4



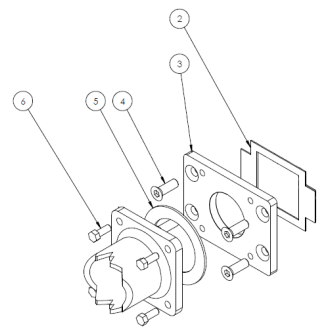
SKIDMORE	Adapter Kit	ITEM #	684.89068.00	QTY
Includes	Adapter Tank Gasket	2	544.89113.00	1
	Adapter Plate	3	634.89069.00	1
	Adapter Plate	6	634.89067.00	1
	Suction Gasket	5	544.00003.00	2
	Hex Cap Screw 3/8-16X5/8	4	001.06354.00	8
	Hex Head Bolt 3/8-16X1	7	001.05915.00	4



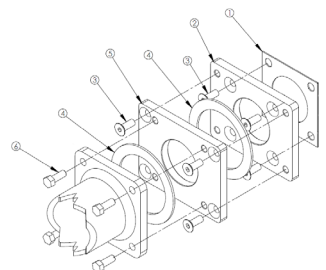
AURORA	Adapter Kit	ITEM #	684.89033.00	QTY
Includes	Adapter Tank Gasket	1	544.89111.00	1
	Adapter Plate	2	643.89014.00	1
	Flat Head Cap Screw 1/2-13X1-1/4	3	403.02472.00	4
	Suction Gasket	4	544.00003.00	1
	Hex Head Bolt 3/8-16X1	5	001.05915.00	4



PACO	Adapter Kit	ITEM #	684.89032.00	QTY
Includes	Adapter Tank Gasket	2	544.00865.00	1
	Adapter Plate	3	634.89013.00	1
	Flat Head Cap Screw 3/8-16X1-1/4	4	001.24402.00	4
	Suction Gasket	5	544.00003.00	1
	Hex Head Bolt 3/8-16X1	6	001.05915.00	4



MEPCO / DUNHAM-BUSH	Adapter Kit	ITEM #	684.89061.00	QTY
Includes	Adapter Tank Gasket	1	544.89112.00	1
	Adapter Plate	2	643.89062.00	1
	Flat Head Cap Screw 3/8-16X1	3	001.24401.00	8
	Adapter Plate	5	634.89027.00	1
	Suction Gasket	4	544.00003.00	2
	Hex Head Bolt 3/8-16X1	6	001.05915.00	4



*** Please Consult Factory for Adapter Flange Kits Not Listed