

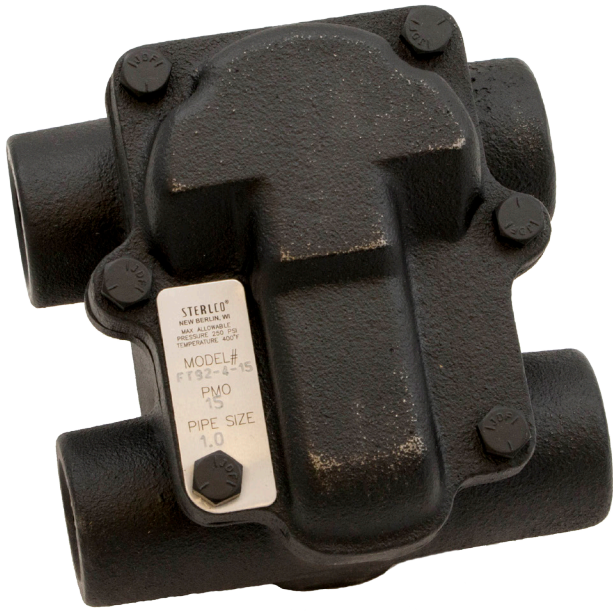
STEAM TRAPS

Float & Thermostatic (FT-92 Series)

Technical Specifications

The Sterlco® (Model FT-92) Float & Thermostatic Trap with Double Inlet/Double Outlet configuration is applicable to all types of steam heating systems and steam process equipment. These traps operate efficiently with pressures up to 15 lbs. for lower pressure applications and up to 125 PSI for higher pressure applications. Their purpose is to move air and water while preventing steam from entering the return piping.

These traps are manufactured in four sizes (3/4", 1", 1-1/4" & 1-1/2") for handling capacities of 275 to 4,300 lbs. of condensate per hour. Four (4) possible connections allow a greater flexibility in piping. These traps can be piped in and out from either side, for a total of four piping combinations depending on your particular needs. All working parts are made of non-corrosive metals especially adapted for this service, and each trap is individually tested for reliable operation.



* Model FT-92 available with stainless steel internals.

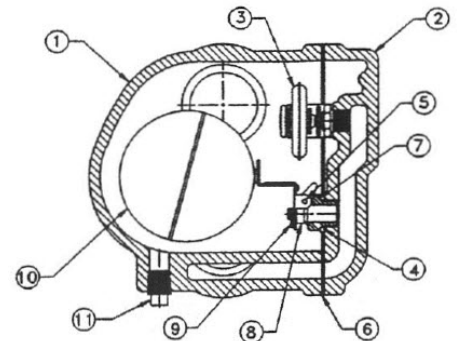
Features

Standard Features

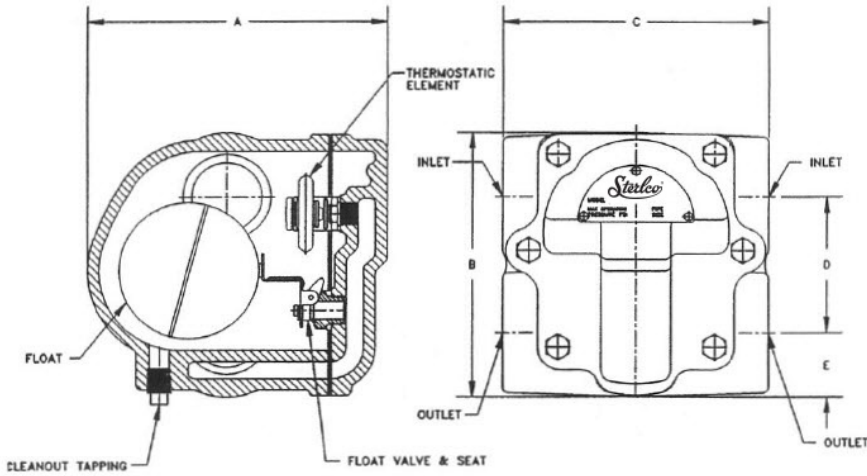
- **Simple, rugged construction.** This Sterlco® trap consists of a body, cover and float valve assembly. Body and cover are cast iron; all working parts are made of non-corrosive metals especially adapted for this service.
- **Sensitive thermostatic action.** Charging the thermostatic disc under high vacuum assures sensitive and positive response to temperature and pressure over the entire operating range. Disc corrugations are shaped to reduce hinge action at the rim of the disc and evenly distribute disc motion.
- **Instantaneous valve action.** Design of the float valve assembly permits rapid and positive valve action. Location of the valve assures a deep water seal at all times.
- **Continuous rapid flow of water.** A lever operated discharge valve opens wide so that large volumes of water can flow continuously from the trap.
- **Thorough testing.** In addition to tests made of the completed trap, each thermostatic disc is tested before it is assembled into the trap.
- **Minimum maintenance.** All working parts may be inspected, removed or repaired without disturbing piping connections. Clean-out plug at bottom of trap body permits easy flushing of dirt.

List of Materials

ID	Part	Material
1	Body	Class 30 Cast Iron
2	Cap	Class 30 Cast Iron
3	Disc	Stainless Steel & Brass
4	Hinge	Brass
5	Pin, Hinge	Stainless Steel
6	Gasket	Non-asbestos Fiber
7	Seat	SST, Brass Holder
8	Valve	Stainless Steel
9	Clip	Stainless Steel
10	Lever & Float Assy	Stainless Steel
11	Plug 1/4" NPT	Steel

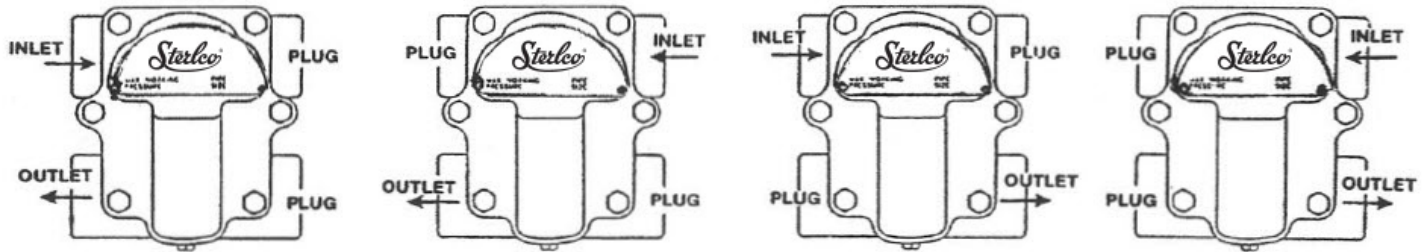


Product Dimensions



Meeting the standards of
FCI
 Fluid Controls Institute

Model	Pipe Size	Dimensions						Ship Wt. lbs.
		A	B	C	D	E	F	
FT92-3	3/4"	5-3/4	5-11/16	4-7/8	3-3/8	1-5/32	5-13/16	12
FT92-4	1"	5-3/4	5-11/16	4-7/8	3-3/8	1-5/32	5-13/16	12
FT92-5	1-1/4"	6-3/8	5-3/4	5-3/8	3	1-3/8	6-3/4	17
FT92-6	1-1/2"	6-3/8	5-3/4	5-3/8	3	1-3/8	6-3/4	17



Capacities

Model	NPT		Pressure Differential (PSI) Lbs. Condensate Per Hour																
	Size	Orifice	1/4	1/2	1	2	5	10	15	20	25	30	40	50	60	75	90	100	125
FT92-3-15 4-15	3/4" / 1"	.313	600	825	1000	1225	1575	1875	2175	-	-	-	-	-	-	-	-	-	-
FT92-5-15	1-1/4"	.344	750	1000	1200	1400	1900	2300	2700	-	-	-	-	-	-	-	-	-	-
FT92-6-15	1-1/2"	.391	980	1365	1855	2410	3150	3750	4075	-	-	-	-	-	-	-	-	-	-
FT92-3-30 4-30	3/4" / 1"	.250	425	600	750	900	1250	1500	1725	1900	2050	2300	-	-	-	-	-	-	-
FT92-5-30	1-1/4"	.313	600	825	1000	1225	1575	1875	2175	2500	2750	3000	-	-	-	-	-	-	-
FT92-6-30	1-1/2"	.391	800	1100	1450	1800	2400	2900	3400	3750	4050	4300	-	-	-	-	-	-	-
FT92-3-75 4-75	3/4" / 1"	.141	300	375	425	500	625	725	825	900	975	1000	1200	1350	1500	1650	-	-	-
FT92-5-75	1-1/4"	.188	375	500	600	710	935	1050	1225	1375	1525	1675	1825	1950	2100	2400	-	-	-
FT92-6-75	1-1/2"	.219	400	525	675	825	1075	1250	1425	1575	1725	1850	2000	2200	2400	2700	-	-	-
FT92-3-125 4-125	3/4" / 1"	.109	275	310	350	390	450	500	540	600	660	725	850	1000	1100	1280	1410	1500	1650
FT92-5-125	1-1/4"	.141	300	375	425	525	625	725	825	900	975	1100	1200	1350	1500	1650	1825	1900	2100
FT92-6-125	1-1/2"	.172	350	450	550	650	800	950	1050	1150	1275	1400	1500	1625	1780	1950	2100	2275	2500

Capacities given are continuous discharge in pounds of condensate per hour at pressure differential indicated, determined by tests conducted according to ASME Performance Test Code 39.1-1980. Apply safety Factor as required per application. Condensate within 5 degrees of steam temperature.